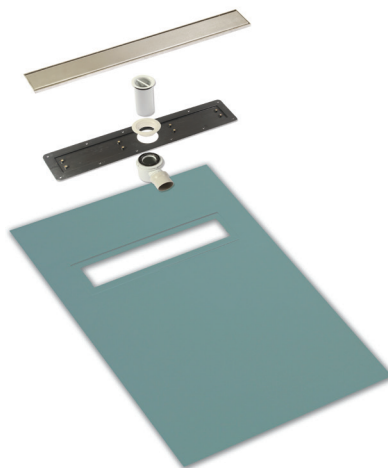




SECTION 3.1 LINEAR WET-DEC



PRODUCT
SPECIFICATION
GUIDE

3.1 LINEAR WET-DEC

FINISHED PRODUCT



The Linear Wet-Dec pre-formed shower base has been developed specifically to allow the installation of a wetroom on a timber floor.

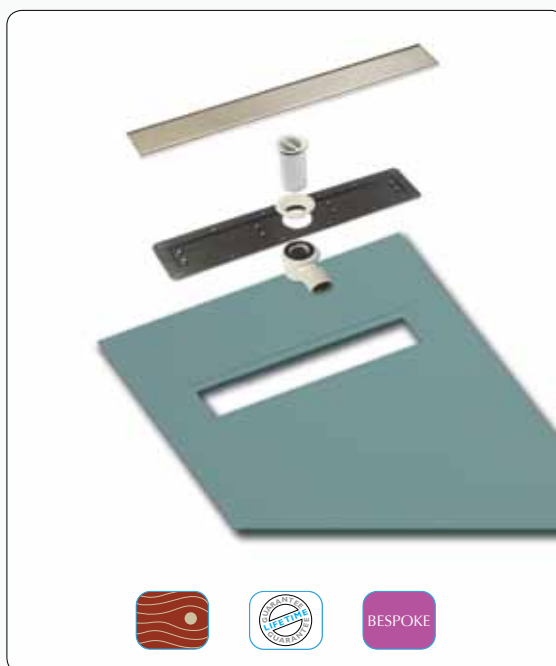
Available in a range of sizes, the dec has a built-in gradient ensuring that water from the shower is directed towards the integral linear drain, giving a sleek and stylish finish.

The key feature of the Linear Wet-Dec is its two way fall which allows the tiling to be laid without diagonal cuts, therefore making it ideal for use with large format tiles.

The integrated linear drain is available with one, two or three traps and a choice of stylish grill finishes.

KEY FEATURES

- Designed for timber floors
- Two way fall - suited to large format tiles
- 9 pre-formed sizes
- Trimmable
- Lifetime Guarantee
- Stylish linear drain
- Variable waste position
- Flow rate up to 68 L/min
- Height adjustable grill



3.1 LINEAR WET-DEC

DEC

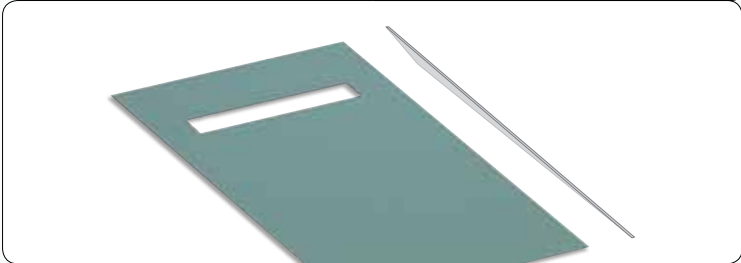
The Linear Wet-Dec is manufactured using a high-density XPS foam with a mineral coating on both sides, making them both lightweight and easy to handle, whilst maintaining good thermal properties and compressive strength.

The Dec has a pre-formed 12mm fall, providing a consistent two way gradient every time.

The clever design allows for far higher flow rates than a more traditional four-way fall Dec whilst the linear drain makes it ideal for the installation of large format tiles

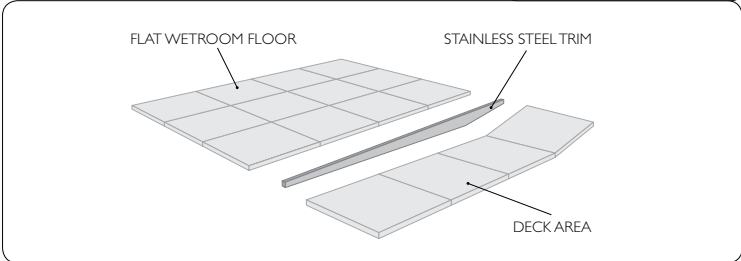
Each Linear Wet-Dec is supplied with a stainless steel trim for detailing the difference in tile heights where the dec meets the remainder of the bathroom floor - see image for details.

WET-DEC AND STAINLESS STEEL TRIM



- Designed for timber floors
- Two way fall - suited to large format tiles
- Easily trimmed
- Lifetime guarantee
- Variable trap position
- 22mm Depth

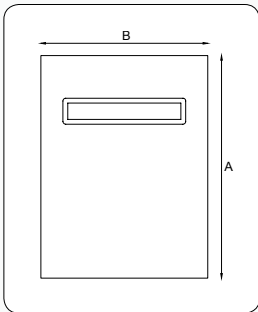
STAINLESS STEEL TRIM



DEC SIZES

The Linear Wet-Dec is available in 9 sizes:

- | A | B | Configuration |
|--------|--------|---------------|
| 900mm | 900mm | End drain |
| 1200mm | 900mm | Centre drain |
| 1200mm | 900mm | End drain |
| 1200mm | 1000mm | End drain |
| 1500mm | 900mm | End drain |
| 1500mm | 1000mm | End drain |
| 1800mm | 900mm | End drain |
| 1800mm | 900mm | Centre drain |
| 1000mm | 1000mm | End drain |



3.1 LINEAR WET-DEC

TRAP

The trap has an adjustable ball joint and comes with removable dip-tube.

For ease of installation, it can be fitted anywhere within the central section of the trough, making it simple to avoid joists and other such obstructions.



- Multi-directional outlet
- Variable position
- 50mm Water seal
- 50mm Outlet, supplied with 50mm-42mm reducer
- BSI455/1566
- Easy to maintain

NO. OF TRAPS

A single trapped Linear Wet-Dec has a flow rate of up to 27 L/min*. The trap can be fitted anywhere within the trough.

When a higher flow rate is required a double trap version is available, allowing up to 50 L/min*.

For higher flow rates a triple trapped drain is also available.

* See flow rate chart for full details.

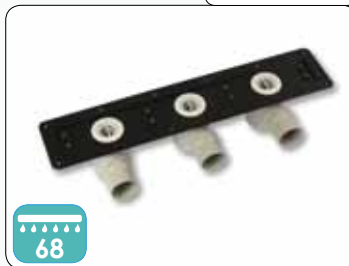
ONE TRAP



TWO TRAPS



THREE TRAPS



FLOW RATES

No. of traps	No. of wastes		
	1	2	3
1	25 L/min	n/a	n/a
2	41 L/min	41 L/min	n/a
3	41 L/min	41 L/min	60 L/min
1	27 L/min	n/a	n/a
2	50 L/min	50 L/min	n/a
3	50 L/min	61 L/min	68 L/min

Stone / Solid-infill
Slotted / Square Holes

3.1 LINEAR WET-DEC

GRILL FINISH

The grill is available in various different finishes.

All are manufactured in 316 marine grade stainless steel, ensuring a stunning high quality finish.

Type A - Solid Grill is supplied as standard unless otherwise specified.

Type A - Solid Grill:
Grained stainless steel with a 3mm gap around the grill for a sleek stylish finish.

Type B - Oblong Slots:
Three rows of oblong slots in a grained stainless steel finish.

Type C - Square Holes:
Three rows of squares in a grained stainless steel finish.

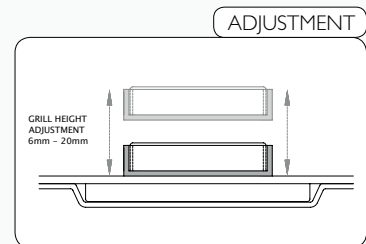
Type S - Stone-infill:
Allows a section of tile to be inserted to provide a sleek continuous look. Suitable for 10-12mm stone / porcelain tiles. Bespoke depths available to order.



HEIGHT ADJUSTMENT

The grill is height adjustable in 1mm increments to suit tile thicknesses of 6mm to 20mm.

Additional spacers are available upon request for tiles thicker than 20mm.



HOW TO SPECIFY

To specify your Linear Wet-Dec, first select the required number of traps (depending on the required flow rate), followed by the grill length and finally the grill finish.

Example: A single trap, 1800mm x 900mm, Linear Wet-Dec with solid grill would have the code: **LWD 105/Type A**

Membrane

It is essential that the floor is waterproofed or 'tanked' using one of the membranes in the 'product details' on page 6.

For timber floors we would recommend the Tilesafe membrane is applied to the entire wetroom floor.

FWM should then be applied to the walls of the shower area and overlapped onto the Tilesafe Reinforcing Tape.

3.1 LINEAR WET-DEC



PRODUCT DETAILS

IMAGE	DESCRIPTION	DEC SIZE	DRAIN POSITION	PRODUCT REF
	Single trap Linear	900mm x 900mm	End	LWD 101
	Wet-Dec, supplied	1200mm x 900mm	Centre	LWD 102
	with solid grill as	1200mm x 900mm	End	LWD 103
	standard ¹	1200mm x 1000mm	End	LWD 113
	Maximum flow rate	1500mm x 900mm	End	LWD 104
		1500mm x 1000mm	End	LWD 114
		1800mm x 900mm	End	LWD 105
		1800mm x 900mm	Centre	LWD 106
	1000mm x 1000mm	End	LWD 107	
	Double trap Linear	900mm x 900mm	End	LWD 201
	Wet-Dec, supplied	1200mm x 900mm	Centre	LWD 202
	with solid grill as	1200mm x 900mm	End	LWD 203
	standard ¹	1200mm x 1000mm	End	LWD 213
	Maximum flow rate	1500mm x 900mm	End	LWD 204
		1500mm x 1000mm	End	LWD 214
		1800mm x 900mm	End	LWD 205
		1800mm x 900mm	Centre	LWD 206
	1000mm x 1000mm	End	LWD 207	
	Triple trap Linear	900mm x 900mm	End	LWD 301
	Wet-Dec, supplied	1200mm x 900mm	Centre	LWD 302
	with solid grill as	1200mm x 900mm	End	LWD 303
	standard ¹	1200mm x 1000mm	End	LWD 313
	Maximum flow rate	1500mm x 900mm	End	LWD 304
		1500mm x 1000mm	End	LWD 314
		1800mm x 900mm	End	LWD 305
		1800mm x 900mm	Centre	LWD 306
	1000mm x 1000mm	End	LWD 307	

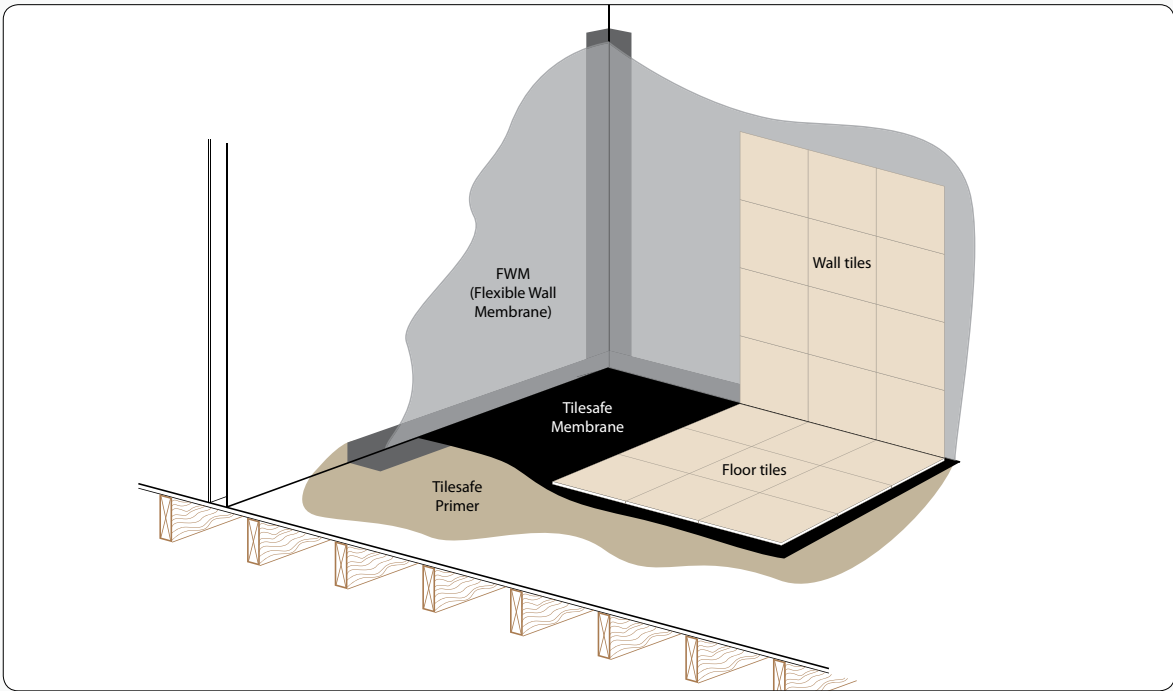
¹ Type A – Solid Grill is supplied as standard. For alternative grill finishes please see page 4.

3.1 LINEAR WET-DEC

WATERPROOFING

IMAGE	DESCRIPTION	PRODUCT REF	
	<p>RIW Tilesafe – A superior waterproof membrane designed for use in wetrooms, prior to the application of ceramic tiles and natural stone².</p> <ul style="list-style-type: none"> • Self-adhesive • Quick and easy to install • Lifetime Guarantee • De-coupling properties 	5m ²	TSK-5
	<p>RIW FWM – A liquid membrane designed for waterproofing walls, fully compatible with Tilesafe and Screedsafe².</p>	8kg	FWM-8

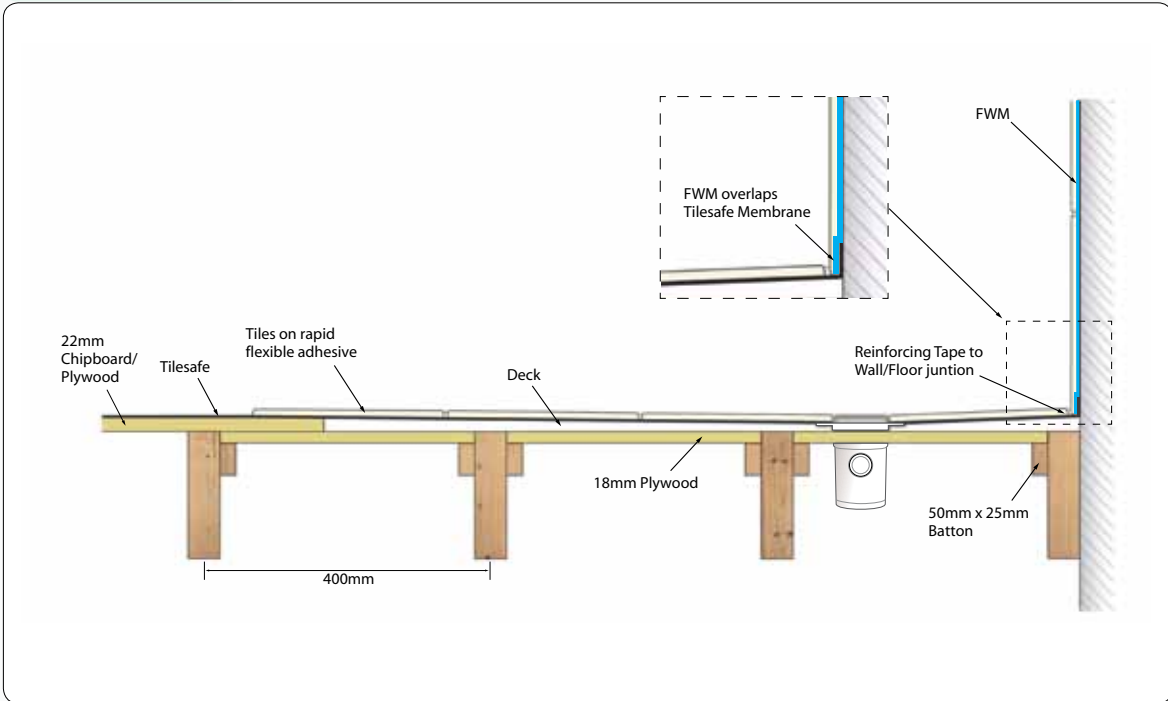
² For full technical details please refer to section 4



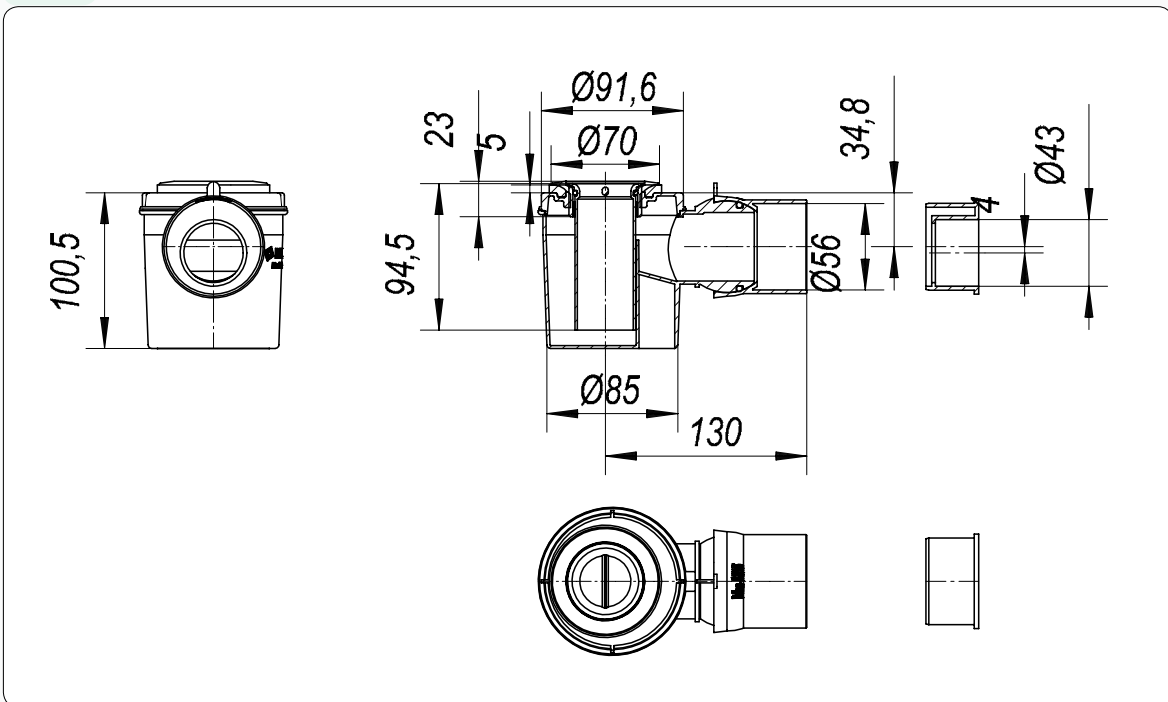
3.1 LINEAR WET-DEC

IN DETAIL

FLOOR BUILD UP

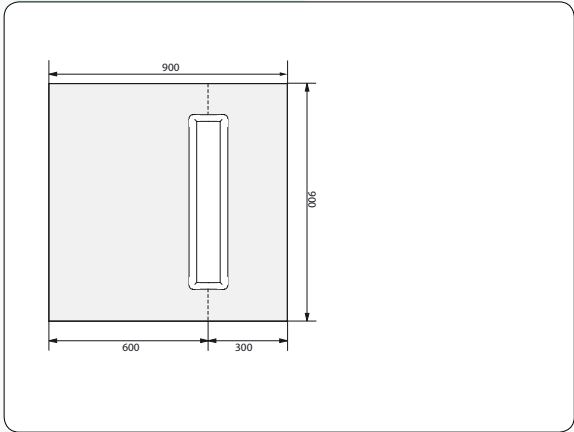


TRAP

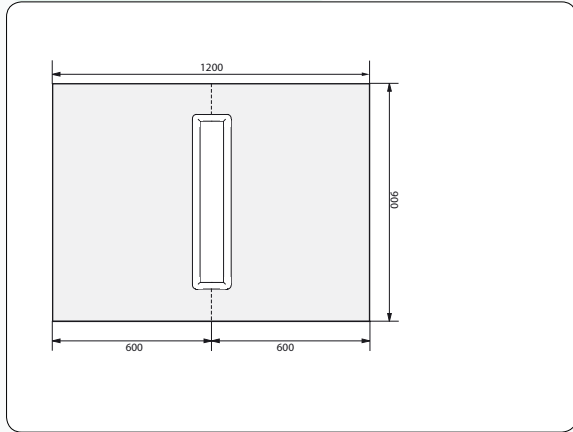


3.1 LINEAR WET-DEC

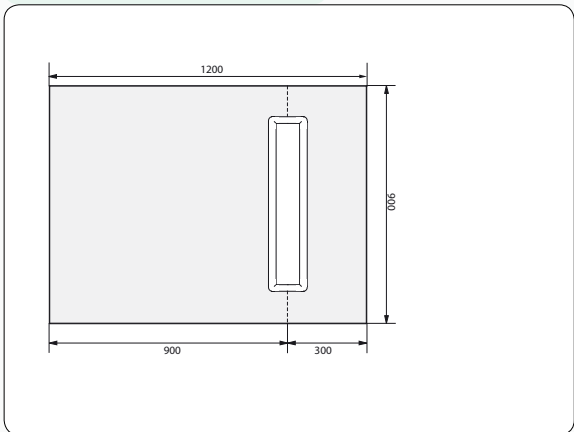
LWD 101 - 900 x 900mm



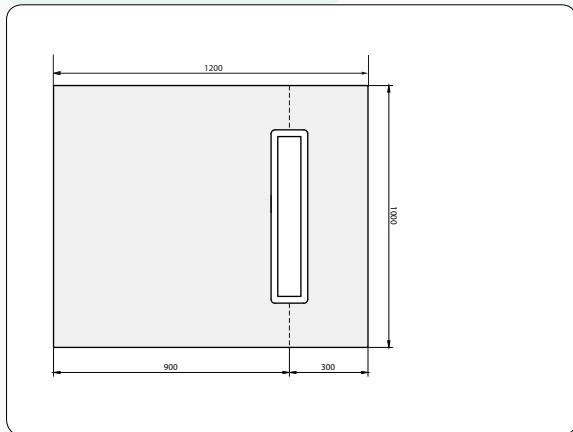
LWD 102 - 1200 x 900mm



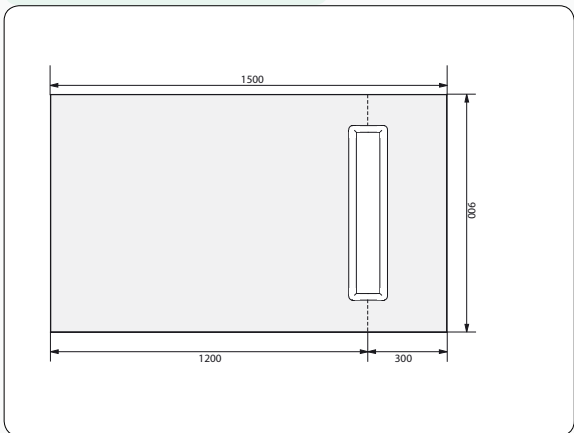
LWD 103 - 1200 x 900mm



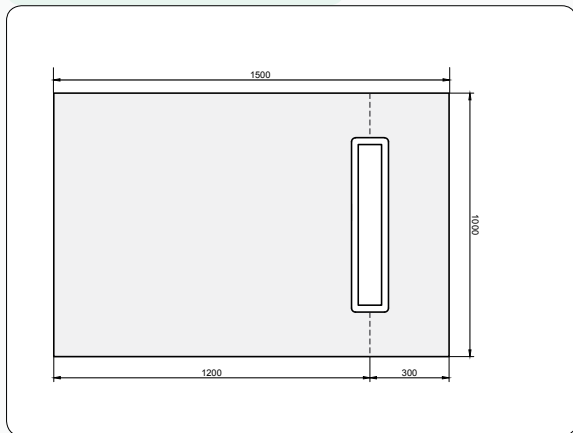
LWD 113 - 1200 x 1000mm



LWD 104 - 1500 x 900mm

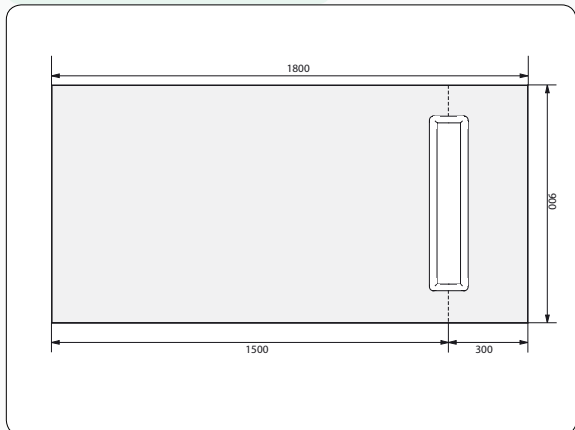


LWD 114 - 1500 x 1000mm

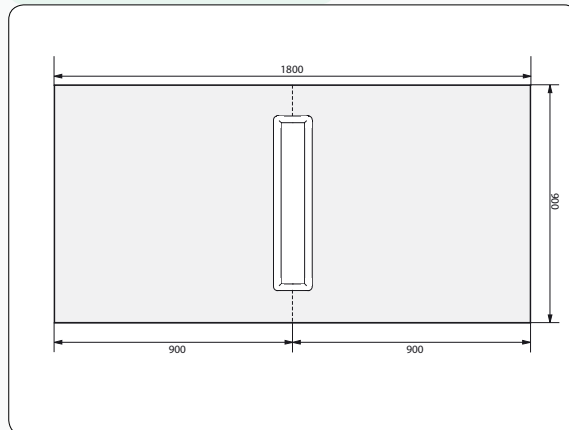


3.1 LINEAR WET-DEC

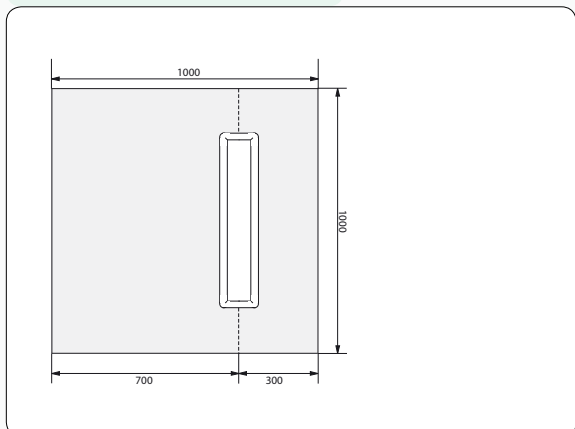
LWD 105 - 1800 x 900mm



LWD 106 - 1800 x 900mm



LWD 107 - 1000 x 1000mm



TECHNICAL SUPPORT

For technical assistance please contact our experienced technical department who will be happy to assist in the following;

- Project design
- Product specification
- CAD drawings
- Method statements

TECHNICAL SEMINARS

We are able to provide CPD based seminars designed to provide guidance on key wetroom design considerations such as;

- Design and layout
- Drainage
- Waterproofing
- Flow rates

For further information please contact our technical department.

TECHNICAL ADVICE

Our team of technical advisors are able to visit you to provide a professional advisory service and assist with project design and specification.

We are also able to attend site to provide technical support and assistance.

TECHNICAL ENQUIRIES

TEL: 0844 327 6002

Fax: 01256 765100

technical@ccl-wetrooms.co.uk

www.ccl-wetrooms.co.uk

CCL Specialist Supplies Ltd

Lodge Farm
Hook Road
North Wamborough
Hook
RG29 1HA



INSTALLATION

With over 30 years experience in the waterproofing industry, our involvement in a project from conception to completion ensures that quality is never compromised.

Our services include;

- Design and installation
- 10 Year Insured Installation guarantee
- On-site training

INSTALLATION ENQUIRIES

TEL: 0845 045 6001

Fax: 01256 765100

enquiries@wetroomsuk.co.uk

www.wetroomsuk.co.uk

Wetrooms UK Ltd

Lodge Farm, Hook Road
North Wamborough
Hook
RG29 1HA



part of
the CCL
group



PEACE OF MIND
GUARANTEED