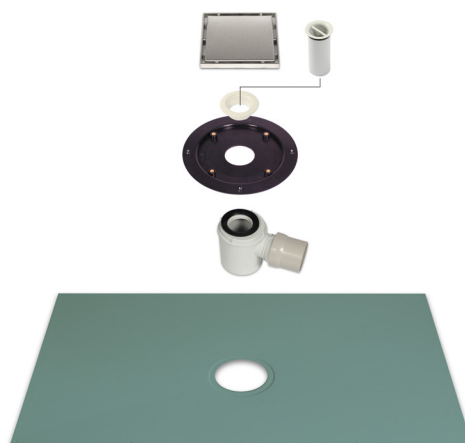




SECTION 3.2 WET-DEC



PRODUCT SPECIFICATION GUIDE

3.2 WET-DEC

FINISHED PRODUCT



The Wet-Dec is a pre-formed shower base developed specifically to allow the installation of a wetroom onto a timber floor.

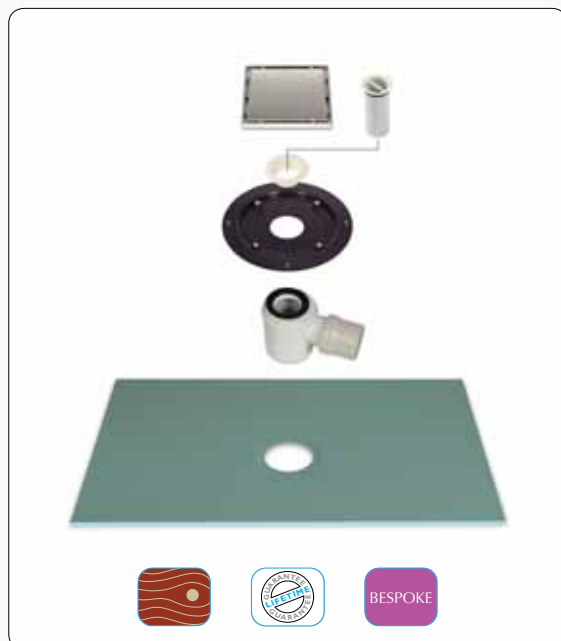
Available in a range of sizes, the Wet-Dec has a built-in gradient ensuring that water from the shower is directed towards the drain outlet.

The Wet-Dec has a built-in four-way fall which provides a consistent gradient, making it ideal for use with mosaic tiles.

Each Wet-Dec is supplied with our height adjustable shower drain which is available in a choice of stylish finishes.

KEY FEATURES

- Designed for timber floors
- Four-way fall - suited to mosaic tiles
- 8 pre-formed sizes
- Trimmable
- Lifetime Guarantee
- Flow rate up to 27 L/min
- Height adjustable grill
- Flexible drain outlet

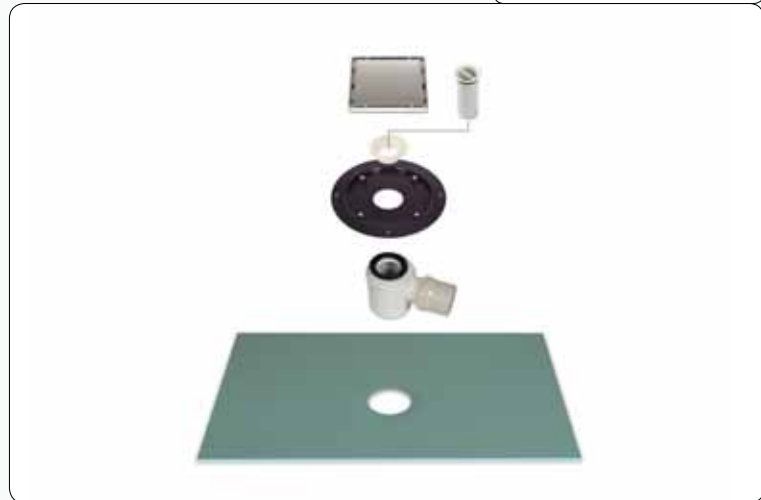


DEC

The Wet-Dec is manufactured using a high-density XPS foam with a mineral coating on both sides, making them both lightweight and easy to handle, whilst maintaining good thermal properties and compressive strength.

The four-way fall provides a consistent gradient of approximately 12mm to the drain, making it ideal for the installation of mosaic tiles.

WET-DEC COMPONENTS



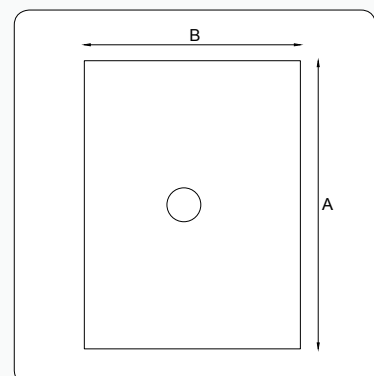
- Designed for timber floors
- Four-way fall - suited to mosaic tiles
- 8 pre-formed sizes
- Can be trimmed by up to 50mm
- Lifetime guarantee
- 22mm Depth

DEC SIZES

The Wet-Dec is available in 8 sizes:

A B

- 900mm × 900mm
- 1000mm × 1000mm
- 1200mm × 1200mm
- 1200mm × 900mm
- 1200mm × 1000mm
- 1500mm × 900mm
- 1500mm × 1000mm
- 1800mm × 900mm



3.2 WET-DEC

TRAP

The trap has an adjustable ball joint for ease of installation and comes with removable dip-tube.

The trap is located within the base component which comes un-drilled allowing for extra flexibility.

- Multi-directional outlet
- 50mm Water seal
- 50mm Outlet, supplied with 50mm-42mm reducer
- BS I455/I566
- Easy to maintain
- Flow rate up to 27 L/min

TRAP WITH GRILL AND DRAIN



GRILL FINISH

The grill is available in various different finishes. All are manufactured in 316 marine grade stainless steel, ensuring a stunning high quality finish.

Type A Solid Grill is supplied as standard unless otherwise specified.

Type A - Solid Grill:
Grained stainless steel with a 5mm gap around the grill for a sleek stylish finish.

Type B - Oblong slots:
Rows of oblong slots in a grained stainless steel finish.

Type S - Stone - Infill Grill:
Allows a section of tile to be inserted to provide a sleek continuous look. Suitable for 10-12mm stone/porcelain tiles. Bespoke depths available to order.

TYPE A



TYPE B



TYPE S

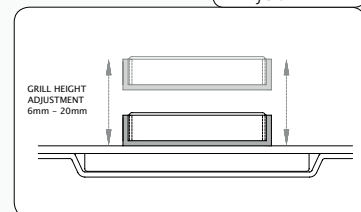


HEIGHT ADJUSTMENT

The grill is height adjustable in 1mm increments to suit tile thicknesses of 6mm to 20mm.

Additional spacers are available upon request for tiles thicker than 20mm.

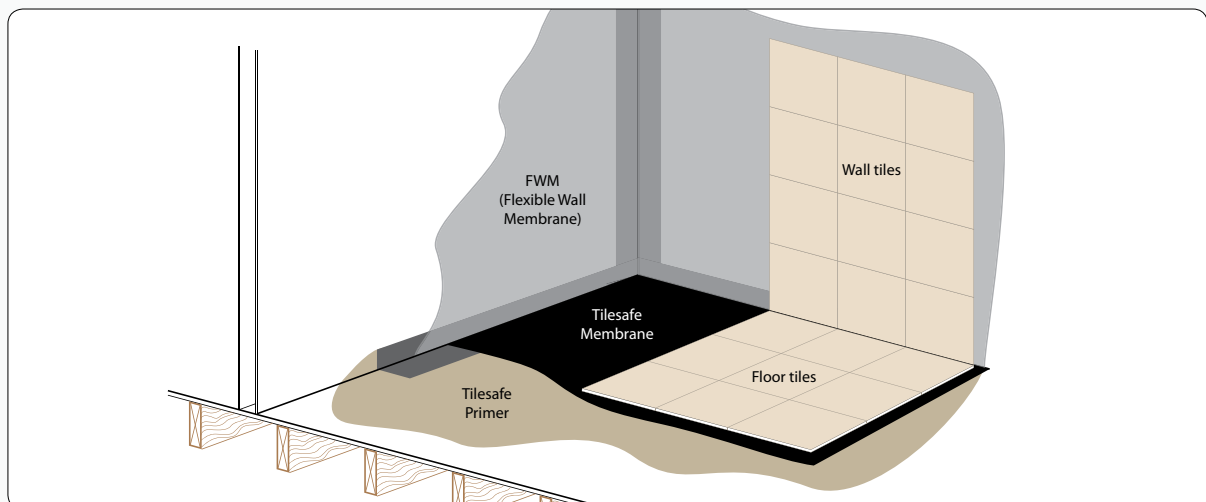
ADJUSTMENT



WATERPROOFING

IMAGE	DESCRIPTION	DEC SIZE	PRODUCT REF
	Wet-Dec, Maximum flow rate 27 L/min.	900mm x 900mm 1000mm x 1000mm 1200mm x 1200mm 1200mm x 900mm 1200mm x 1000mm 1500mm x 900mm 1500mm x 1000mm 1800mm x 900mm	WD10 WD11 WD12 WD20 WD21 WD22 WD23 WD24
	RIW Tilesafe – A superior waterproof membrane designed for use in wetrooms, prior to the application of ceramic tiles and natural stone ² . <ul style="list-style-type: none"> • Self-adhesive • Quick and easy to install • Lifetime Guarantee • De-coupling and acoustic properties 	5m ² 10m ²	TSK-5 TSK-10
	RIW FWM – A liquid membrane designed for waterproofing walls, fully compatible with Tilesafe.	8kg	FWM-8

² For full technical details please refer to Section 4



3.2 WET-DEC

HOW TO SPECIFY

To specify your Wet-Dec, first select the required size of shower area, followed by the grill height and finally the grill finish.

Example: 1200mm x 900mm Wet-Dec with Stone-Infill grill would be code: **WD20/Type S**

Membrane

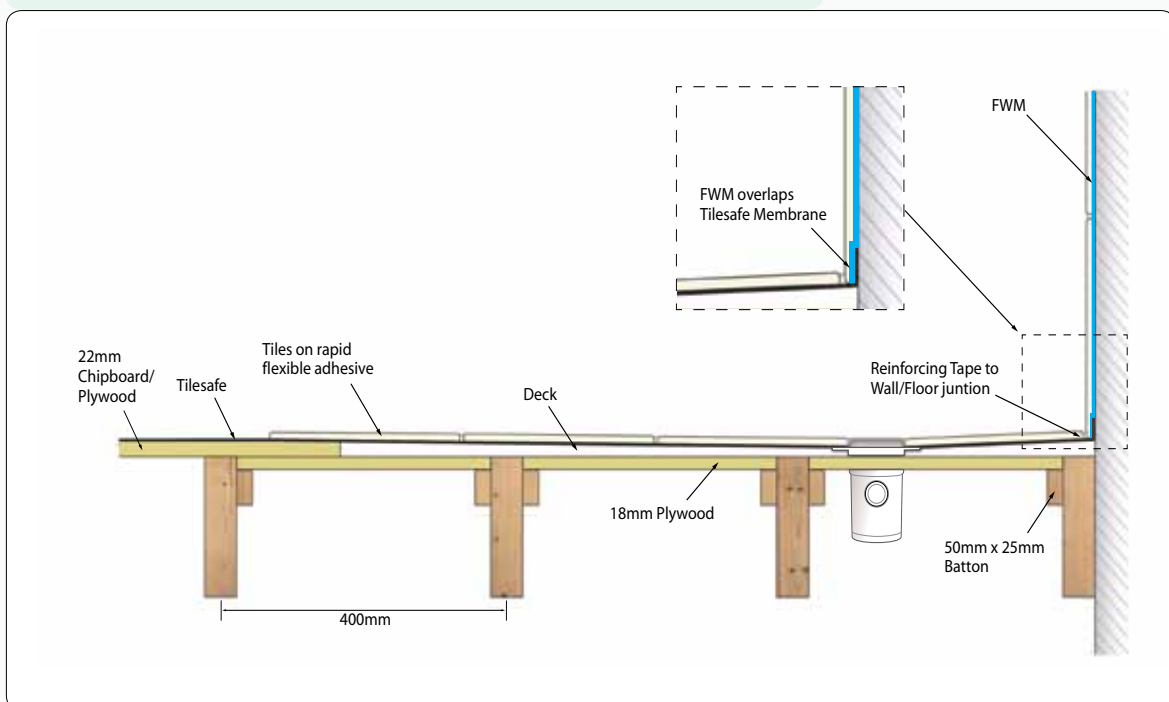
It is essential that the floor is waterproofed or 'tanked' using one of the membranes in the 'product details' on page 4.

For timber floors we would recommend the Tilesafe membrane is applied to the entire wetroom floor.

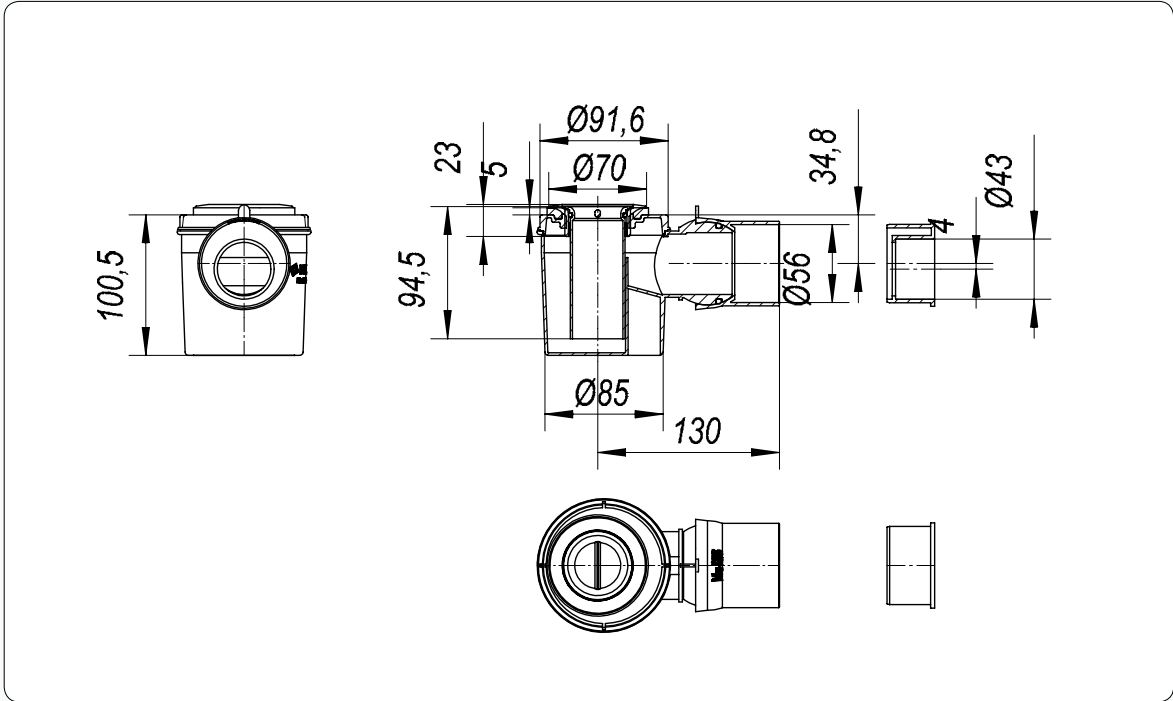
FWM should then be applied to the walls of the shower area and overlapped onto the Tilesafe Reinforcing Tape.

IN DETAIL

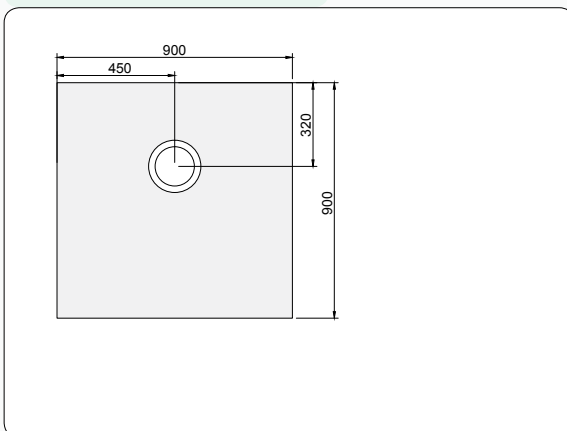
CROSS SECTION SHOWING WET-DEC AND OVERLAPPING FWM



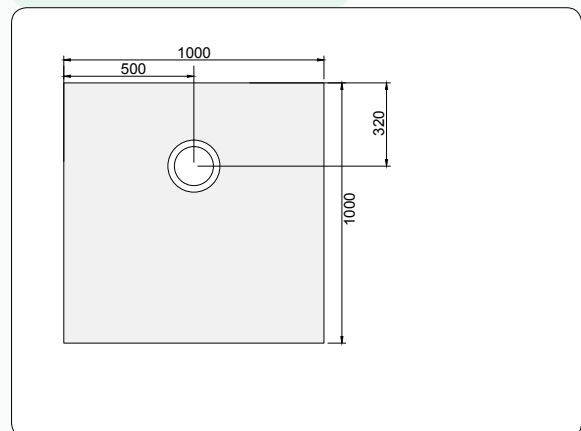
TRAP



WDI0 - 900 x 900mm

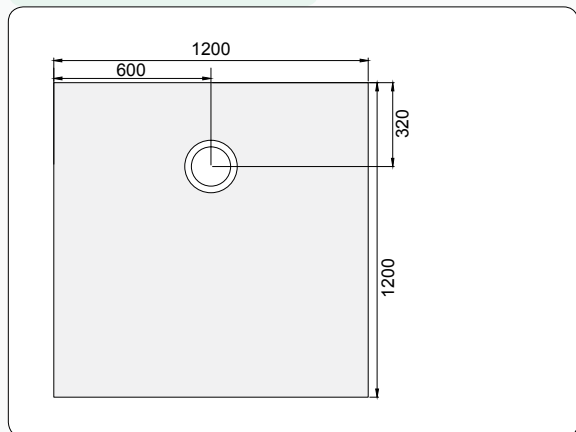


WDI1 - 1000 x 1000mm

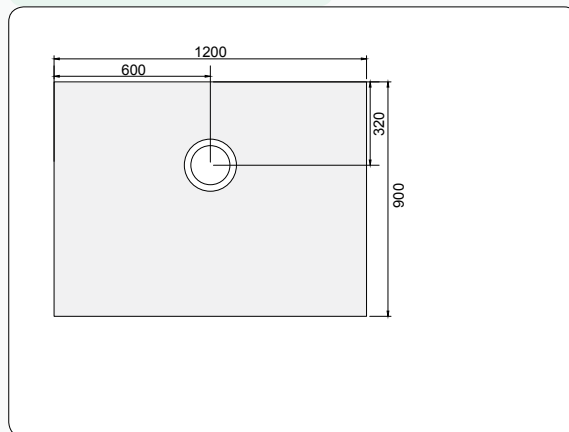


3.2 WET-DEC

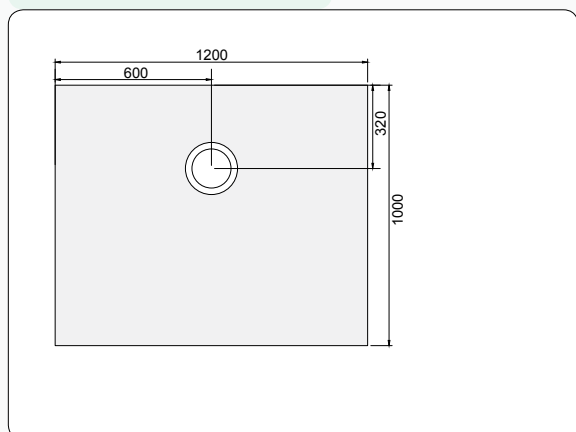
WD12 - 1200 x 1200mm



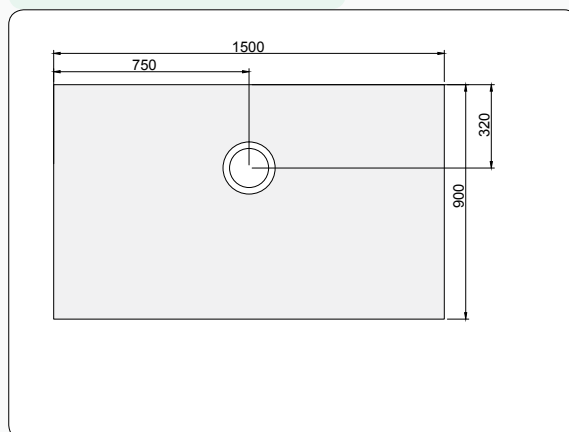
WD20 - 1200 X 900mm



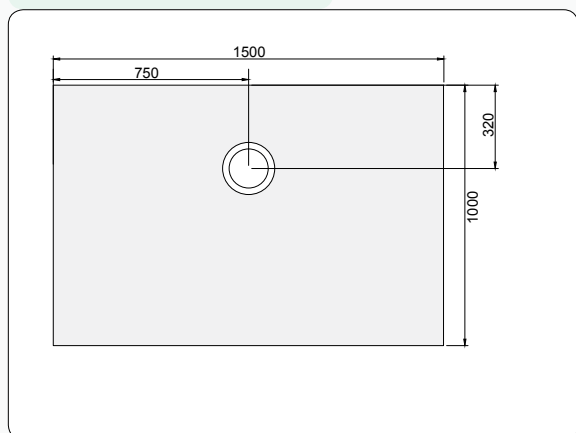
WD21 - 1200 x 1000mm



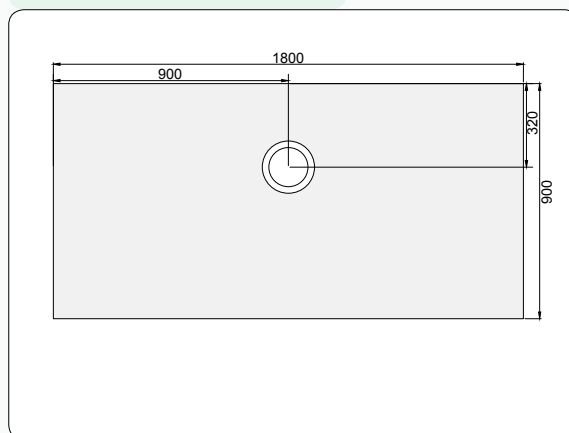
WD22 - 1500 X 900mm



WD23 - 1500 X 1000mm



WD24 - 1800 x 900mm



TECHNICAL SUPPORT

For technical assistance please contact our experienced technical department who will be happy to assist in the following;

- Project design
- Product specification
- CAD drawings
- Method statements

TECHNICAL SEMINARS

We are able to provide CPD based seminars designed to provide guidance on key wetroom design considerations such as;

- Design and layout
- Drainage
- Waterproofing
- Flow rates

For further information please contact our technical department.

TECHNICAL ADVICE

Our team of technical advisors are able to visit you to provide a professional advisory service and assist with project design and specification.

We are also able to attend site to provide technical support and assistance.

TECHNICAL ENQUIRIES

TEL: 0844 327 6002

Fax: 01256 765100

technical@ccl-wetrooms.co.uk

www.ccl-wetrooms.co.uk

CCL Specialist Supplies Ltd

Lodge Farm
Hook Road
North Wamborough
Hook
RG29 1HA



INSTALLATION

With over 30 years experience in the waterproofing industry, our involvement in a project from conception to completion ensures that quality is never compromised.

Our services include;

- Design and installation
- 10 Year Insured Installation guarantee
- On-site training

INSTALLATION ENQUIRIES

TEL: 0845 045 6001

Fax: 01256 765100

enquiries@wetroomsuk.co.uk

www.wetroomsuk.co.uk

Wetrooms UK Ltd

Lodge Farm, Hook Road
North Wamborough
Hook
RG29 1HA



part of
the CCL
group



PEACE OF MIND
GUARANTEED